

6

5

4

3

2

1

MATERIAL AND FINISH:

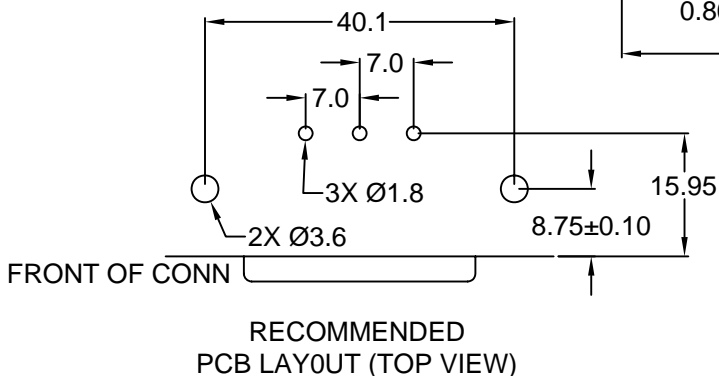
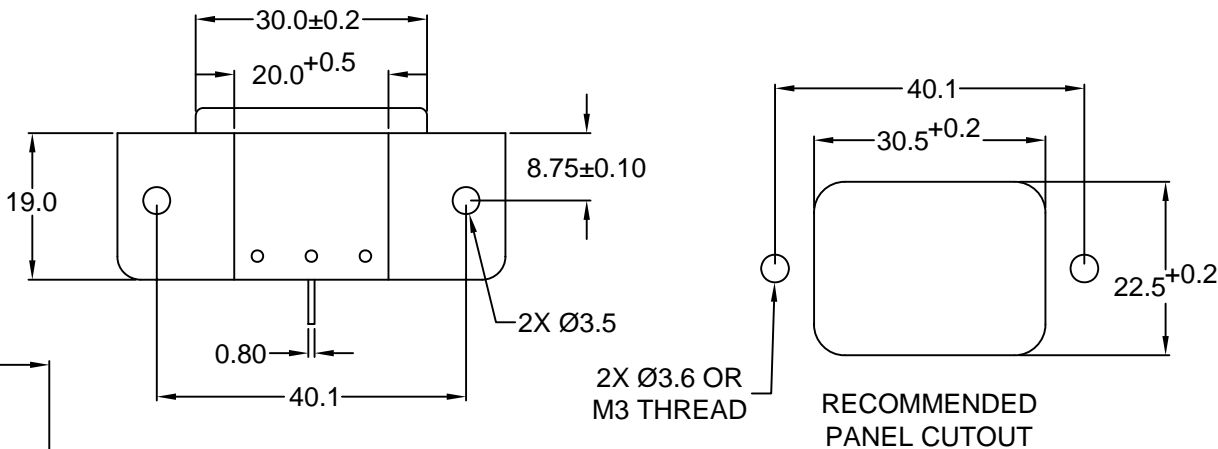
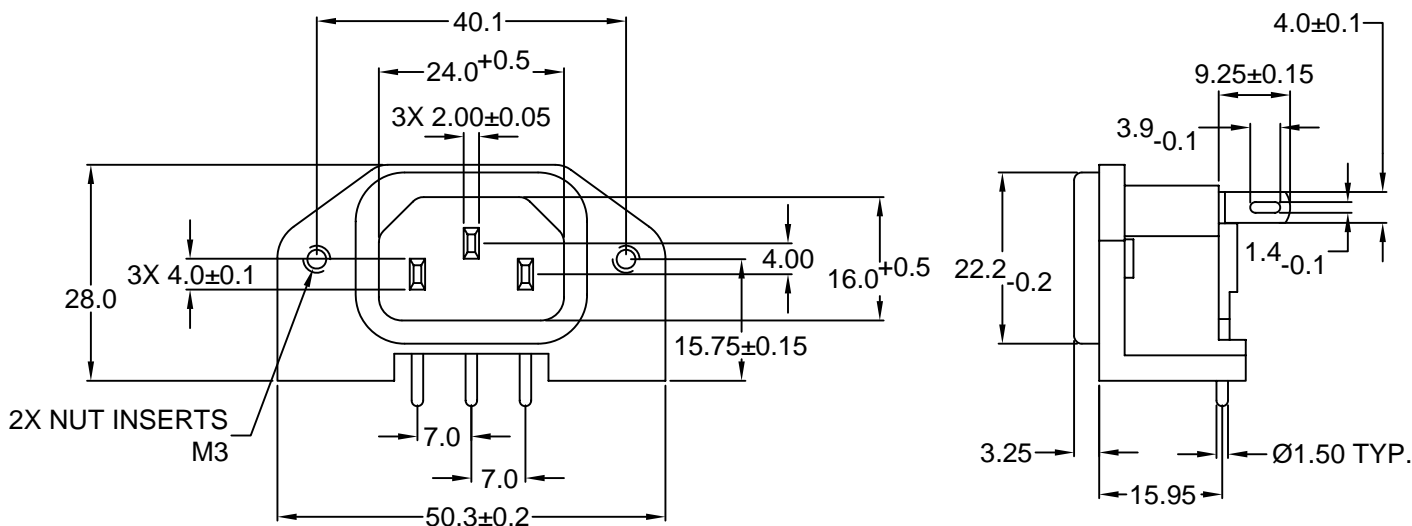
Insulator: PC (Polycarbonate), color black, UL-94V-0 rated
Contacts: Brass, Tin plated

ELECTRICAL SPECIFICATIONS:

Current rating: 10 A
Voltage rating: 250 VAC
Current rating: 15 A
Voltage rating: 250 VAC



RoHS COMPLIANT



REV	DATE	CHANGE	CHNG CHECK APPR			
			LFH	SS	TD	PB
A	8/88	DESIGNED				
B	5/1/00	UPDATE/REVISED DRWG				
C	11/19/01	REVISED / UPDATED				

TOLERANCE UNLESS OTHERWISE SPECIFIED	
X	± 1
X.X	± 0.4
X.XX	± 0.20
DRAWN BY	LFH
DATE:	8/7/98
CHECK BY	AH
DATE:	8/11/98
APPR BY	SS
DATE:	8/11/98

Power Dynamics, Inc.
 Phone: 973 560-0019 Whippany, New Jersey Fax: 973 560-0076
 PART: IEC 60320 C14 APPL. INLET; PCB TERMINALS, SIDE FLANGE, M3 INSERT
42R65-T
 SHEET 1 of 1
 ALL DIMENSIONS FOR REFERENCE ONLY
 DIMENSIONS ARE IN MILLIMETERS
 REV: C